



# ClearPath®

## SYSTEM DESCRIPTION

ClearPath is a curbless, zero entry shower system for raised foundations on wood or metal floor joists.

## Uses

- Residential, commercial and industrial showers
- Stalled gang showers

## Advantages

- Quick and easy shower installation
- Meets ADA compliance and accessibility
- Requires no structural floor joist upgrades
- Factory installed drain assembly.
- Available lifetime system warranty
- Waterproofing membrane meets ANSI A118.10
- UPC rated drain

## Suitable Substrates

- Wood or steel floor joists
- TGI's or engineered joist systems

## ClearPath Kits - ABS or PVC Plate

- 3' x 6' (36" x 72") CP3672 PVC or ABS
- 4' x 4' (48" x 48") CP4848 PVC or ABS
- 4' x 8' (48" x 96") CP4896 PVC or ABS
- 5' x 5' (60" x 60") CP6060 PVC or ABS
- 6' x 6' (72" x 72") CP7272 PVC or ABS
- 8' x 8' (96" x 96") CP9696 PVC or ABS

## Kit Components

- TI-ProBoard Composite Floor Panel
- Aqua Shield Sheet Membrane
- Square floor drain plate
- Fastening screws
- L Angle Strip

## Drain Grate Options

- **Round:** Antique Bronze, Brushed Nickel, Polished Brass, Oil Rubbed Bronze and Stainless Steel
- **Cast Square:** Antique Bronze, Brushed Nickel, Oil Rubbed Bronze and Stainless Steel
- **Cast Round:** Brushed Brass and Brushed Nickel

## Optional ClearLine Linear Drain

- 60" ClearLine Trough Drain (CL-LD-60)
- 60" Long Slot Grate (CL-G-LS)
- 60" Vertical Slot Grate (CL-G-60-VS)
- 60" Small Rectangles Grate (CL-G-60-SMRECTS)



## Limitations

- Subfloor must meet local building code requirements and Tile Council of North America (TCNA) guidelines.
- Maximum distance from drain is four feet (4') with a one and one quarter inch (1 ¼") subfloor assembly. Larger pans may require additional subfloor height.

## Preparation

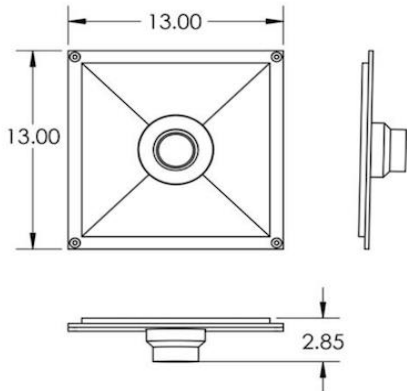
- Determine shower and confirm drain plate location.
- Verify drain plate is spaced between joists and under floor is free of obstacles, wires, piping and duct-work.
- Cut and remove subfloor in shower area. Reveal of subfloor from sill plate may not exceed ¾" (.75").
- Block around the drain with two (2) pieces of 2 x 4 lumber. **Top of blocking is to be set ¼" below the top of the joist.**
- Blocking needs to be 12 3/16" (12.1875") on center.

## Installation

- Fasten drain plate to blocking at each corner, using the provided screws.
- Install a 2" I.D. schedule 40 pipe type (PVC or ABS) to the drain plate.
- Apply a uniform coat of PVC or ABS cleaner to drain, followed by solvent cement to the drainpipe male and female connections to secure piping. (When plumber is making the connection this step can be performed after the pan is installed.)



# ClearPath®



## TI-ProBoard Installation – Floor

- Loose lay, starting at the drain plate, outward to verify the installation will be supported by at least one half of a joist. If not, additional blocking must be required for the installation.
- Install TI-ProBoard perpendicular (across) to the joists.
- Always start at drain plate and secure at three (3) joists or end installation at blocking.
- Measure, cut and lay to desired shower size.
- Secure to drain plate, using two (2) screws at edges.
- L-angle pieces are used as a precaution and should be installed around the perimeter of the shower to catch and support small amounts of mortar during application. If no voids exist after TI-ProBoard installation, L-angle may not be needed.
- Using screws, secure TI-ProBoard at the center of each board and continue installing screws every 6 inches.
- Install a screw at every edge of TI-ProBoard to anchor edges.

## FinPan Backer Board or Equivalent Installation – Floor

- *A backer board installation is required, but not supplied in the ClearPath shower kit.*
- Install ½" (0.5") ProPanel, ProTEC or Util-A-Crete FinPan Backer Board around the perimeter of pan and on top of floor joists to establish perimeter of existing floor area.

## Optional ClearLine Trough Drain Installation (initial)

- Insert ClearLine drain into center of drain plate.
- Trace outside of trough location on Drain Plate and TI-Board using a permanent marker.
- Remove ClearLine drain and store for later use.
- Cover center drain plate to prevent mortar contamination.
- Proceed with Mortar and PE waterproofing membrane install.

## Mortar Installation

- Mix ANSI 108.1B compliant 4-1 Sand/Mortar mix with water.
- Keep membrane on drain plate free of mortar.
- Cover drain plate to prevent exposure to mortar.
- Work mortar mixture into the dovetail ribs of TI-ProBoard.

- Completely fill the dovetails ribs with mortar.
- Using a screed, establish a slope for the mortar between the edge of the surrounding floor and perimeter of the drain plate.
- Allow mortar to harden and set.

## Aqua Shield Sheet Waterproofing Membrane Installation

- Clean shower area free of any loose dust and mortar.
- Loose lay PE Membrane to shower floor, over drain plate and extend 6" up wall and extend 3 inches beyond shower floor. Overlap membrane 2" at all seams.
- Apply modified thin-set to the substrate by using a 3/16" V-notched trowel.
- Fit the PE membrane to the shower floor allowing a minimum of 6" up the wall and extending at least 3" outside of the shower area. Overlap membrane 2" at all seams.
- Press the PE membrane into the thinset by using the flat side of the trowel ensuring 100% contact with the substrate.
- Run trowel over fabric in a diagonal direction to press out any air pockets.
- Cut membrane at center of drain plate to expose drain hole.
- Concrete backer board must be installed with a waterproof membrane either behind the board or applied to the surface. ProPanel is waterproof so this step is not necessary.
- Leave a ¼" gap between the top of the shower floor and the bottom of concrete backer board or ProPanel.
- Install backer board per TCNA guidelines ensuring that the membrane on the backer board wall overlaps the PE membrane.

## Optional ClearLine Trough Drain Installation (final)

- Once waterproofing membrane is installed, reset ClearLine in drain plate.
- Secure provided bonding tape to bottom of ClearLine trough.
- Mix and apply modified thinset and set ClearLine trough to match lines on Drain Plate during initial installation ensuring that trough is sitting flat and level.
- Install the two (2) provided L-shaped trim pieces on the outside edge of ClearLine trough, leaving a gap to allow drain cover installation.

## Final Floor Tile Installation

- Install tile using a modified thinset and in accordance with the Tile Council of North America (TCNA) guidelines.



# ClearPath<sup>®</sup>

---

## Availability and Technical Services

FinPan products are available worldwide.

For Distributor information call:

Telephone: (513) 870-9200 (8:00am - 5:00pm EST)

Technical and Safety, visit our website at [www.finpan.com](http://www.finpan.com).